

Dial Indicators

Comparison measuring instruments which ensure high quality, high accuracy and reliability.



An inspection certificate is attached as standard. Refer to page IX for details.

SERIES 2 — Standard Type, 0.001mm & 0.005mm Resolution

- Standard 0.001mm and 0.005mm graduation dial indicators having a bezel with an outside diameter of $\varnothing 57\text{mm}$. All types come with limit markers and a bezel clamp.
- The outer clamp and lifting lever (optional) can be attached to either the right or left side. These parts can be easily installed and removed without tools.
- Secure adhesion between the bezel and crystal as well as the use of an O-ring prevents water or oil penetration.
- The spindle is made of high-strength quenched stainless steel which resists arduous use.
- A carbide contact point is used.
- A special alloy is used for the sector gears to provide improved wear resistance.
- The indicator uses jeweled bearings, providing excellent indication sensitivity and durability.
- Application of a hard coating on the surface of the crystal makes the gauge highly scratch- and chemical-resistant.



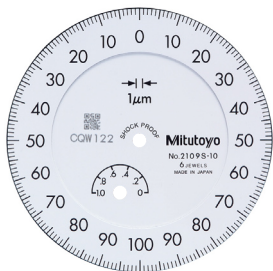
21095-10



21105-10



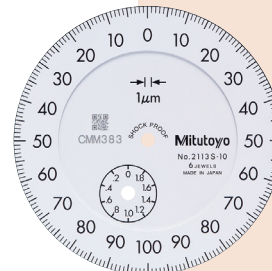
21195-10



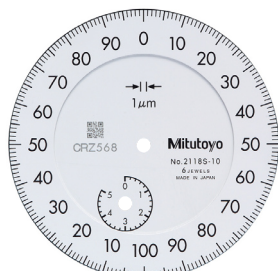
Resolution: 0.001mm, Measuring range: 1mm
21095-10
21095-70



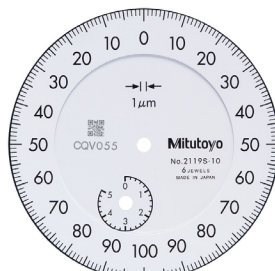
Resolution: 0.001mm, Measuring range: 1mm
21105-10
21105-70



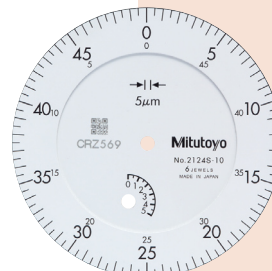
Resolution: 0.001mm, Measuring range: 2mm
21135-10



Resolution: 0.001mm, Measuring range: 5mm
21185-10

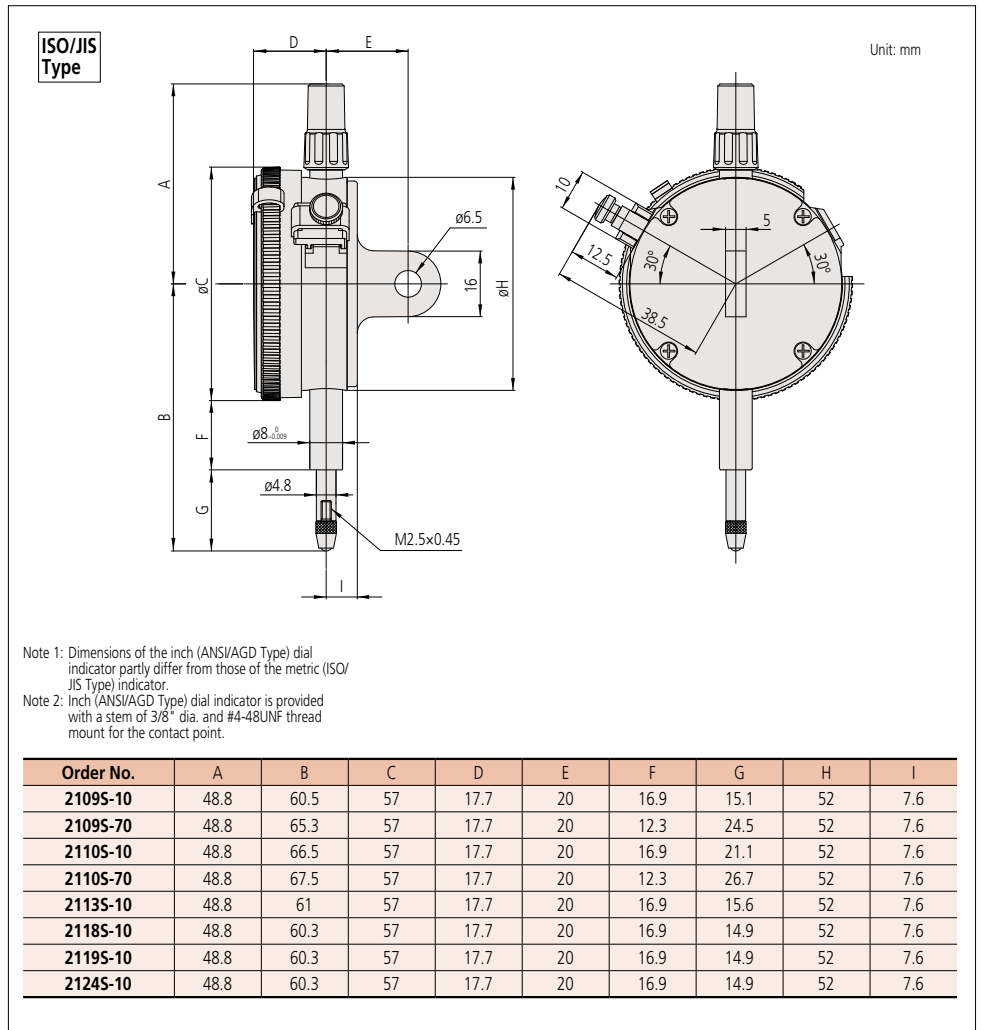


Resolution: 0.001mm, Measuring range: 5mm
21195-10



Resolution: 0.005mm, Measuring range: 5mm
21245-10

DIMENSIONS



FEATURES

Metric		S	63	◇	⊕
Order No.	w/ lug				
2109S-10	2109SB-10	✓	—	✓	—
2109S-70	2109SB-70	✓	✓	✓	—
2110S-10	2110SB-10	✓	—	✓	✓
2110S-70	2110SB-70	✓	✓	✓	✓
2113S-10	2113SB-10	✓	—	✓	—
2118S-10	2118SB-10	—	—	✓	—
2119S-10	2119SB-10	—	—	✓	—
2124S-10	2124SB-10	—	—	✓	—

SPECIFICATIONS

Metric		Graduation	Range (range/rev)	Accuracy				Repeat-ability	Dial reading	Measuring force
Order No.	w/ lug			Overall	Retrace	1/10 Rev	1 Rev			
2109S-10	2109SB-10	0.001mm	1mm (0.2mm)	5μm	2μm	2μm	4μm	0.5μm	0-100-0	1.5N or less
2109S-70	2109SB-70	0.001mm	1mm (0.2mm)	5μm	2μm	2μm	4μm	0.5μm	0-100-0	2.0N or less
2110S-10	2110SB-10	0.001mm	1mm (0.1mm)	5μm	2μm	2μm	4μm	0.5μm	±0-100	1.5N or less
2110S-70	2110SB-70	0.001mm	1mm (0.1mm)	5μm	2μm	2μm	4μm	0.5μm	±0-100	2.0N or less
2113S-10	2113SB-10	0.001mm	2mm (0.2mm)	7μm	2μm	2μm	5μm	0.5μm	0-100-0	1.5N or less
2118S-10	2118SB-10	0.001mm	5mm (0.2mm)	10μm	3μm	3.5μm	6μm	1μm	0-100-100	1.5N or less
2119S-10	2119SB-10	0.001mm	5mm (0.2mm)	10μm	3μm	3.5μm	6μm	1μm	0-100-0	1.5N or less
2124S-10	2124SB-10	0.005mm	5mm (0.5mm)	12μm	3μm	5μm	9μm	3μm	±0-50	1.5N or less

□ ISO/JIS type